

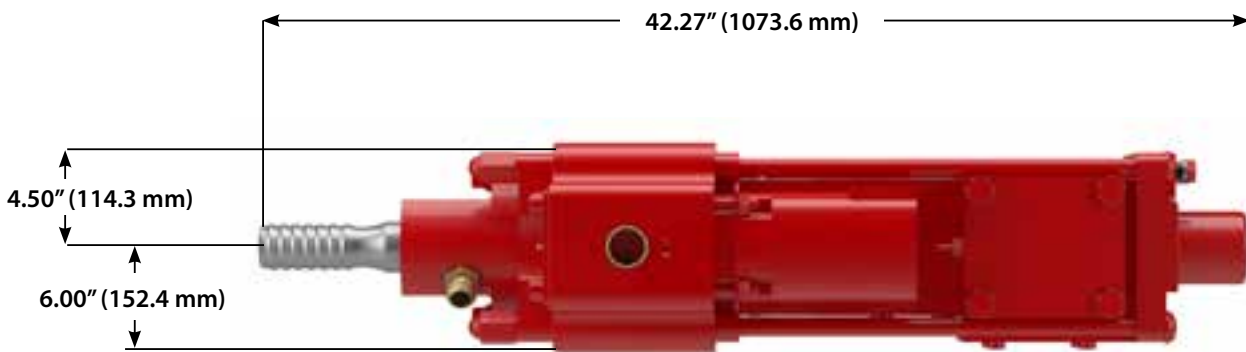
# TE560

## HYDRAULIC DRIFTER

- High-Torque Hydraulic Drifter
- Adjustable Percussion Impact Rate
- Fits most Mid-Sized Anchor Rigs
- TEI Patented Percussion Dampening



# TE560 | HYDRAULIC DRIFTER



	US	METRIC
<b>Impact Energy</b>	190 - 315 ft-lbf	257 - 427 Nm (J)
<b>Impact Frequency</b>	3500 - 2200 bpm	3500 - 2200 bpm
<b>Supply Pressure</b>	2500 psi	172 bar
<b>Percussion Flow</b>	23 gpm	87 lpm
<b>Output Power</b>	21.0 HP	15.7 kW
<b>Rotation Torque</b>	3,000 ft-lbf	400 daNm
<b>Rotation Speed</b>	0-250 rpm	0-250 rpm
<b>Rotation Flow</b>	15 gpm	57 lpm
<b>Weight</b>	544 lbm	247 Kg
<b>Shanks Available</b>	Titan 40, Titan 52RH, Titan52LH, R38, R51, T38, T45, H55LH, H55RH	