

RDS250

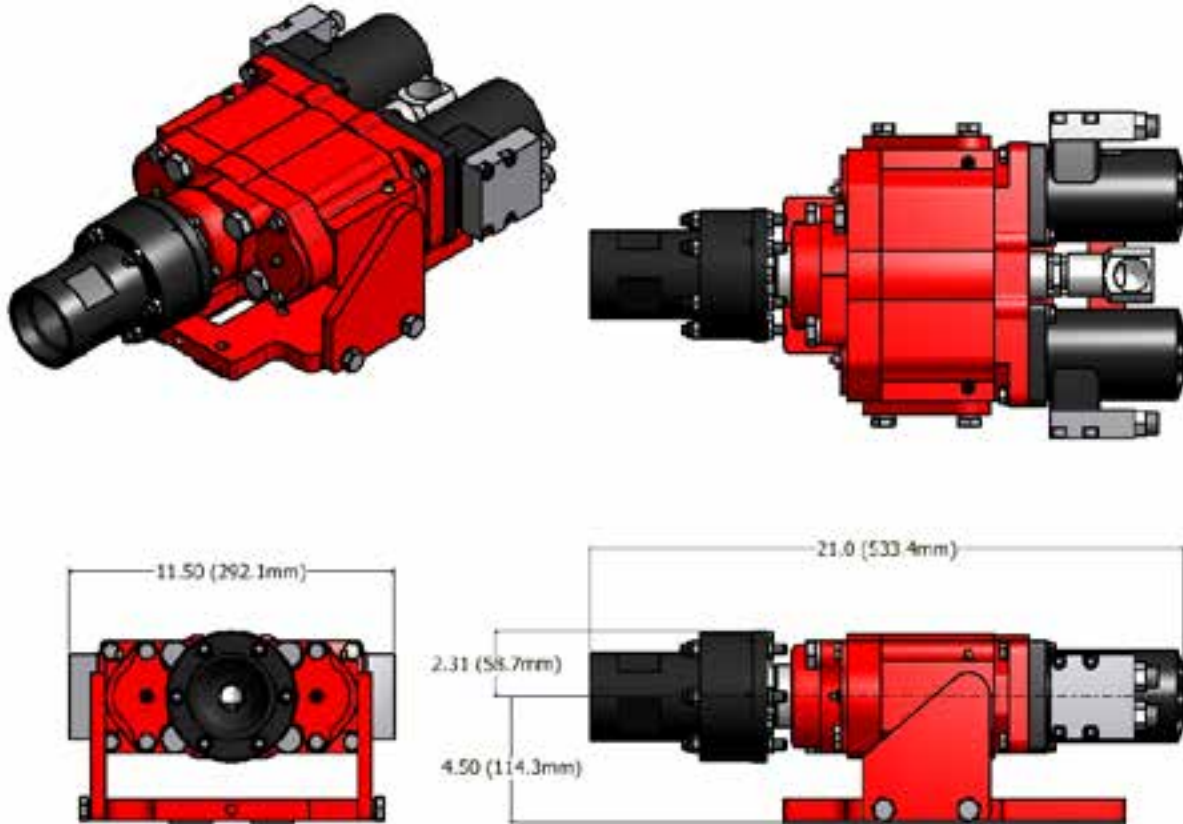
ROTARY HEAD

A lightweight-compact hydraulic rotary head for man-portable drills and limited access drills. The RDS250 is designed for smooth operation and simple maintenance to be used for general rotary drilling applications.

- Flange Connection
- 2-Speed Rotary
- Optional Shock Sub



RDS250 | ROTARY HEAD



	US	METRIC
Rotation Torque	1,000 ft-lbf	135 daNm
Rotation Speed	Up to 400 rpm	Up to 400 rpm
Supply Pressure	2500 psi	172 bar
Supply Flow	15 gpm	57 lpm
Flushing Shaft ID	7/8"	22 mm
Weight	106 lbm	52 kg
Output Threads	CA21 Male, 2-3/8" API Regular Male & Female, 1-5/8" Auger Hex, 1-3/8" Auger Hex, Other Threads Available	

Used on the ACF feed system.

TEI technical specifications consider a 40% hydraulic power loss.